



Reader

The ASK universal contactless module is the ideal contactless core module, thanks to its small footprint, high integration and state of the art design including.

The UCM can be easily integrated in any top of the line contactless application. Its unique open design enables your contactless system to be fully compliant with ISO standards.

Universal Contactless Module UCM108 / UCM108C

The ultimate solution
for your contactless migration

Application fields

- Transport
- Identity
- Payment, point of sale
- Loyalty
- Entertainment
- Logical / physical access control
- All 13.56 MHz contactless applications

System integration

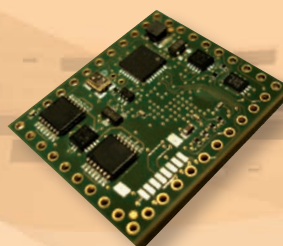
- Transport validator, gate, automatic toll systems
- Desktop reader
- ePassport, eID and eDocument readers
- Vending machine, ATM
- Cash register add-on

Features

- ISO14443 A/B/B', Felica®, Mifare®
- RCTIF V.4.0 Amd 1, PCD class B enabled
- High speed RF communication: 106 up to 848 kb/s for ISO14443-4 A/B and 212 kb/s for Felica®
- USB 2.0 Full Speed (15 Mb/s), serial TTL (up to 691 kb/s) and RS485 (external) host interfaces
- ISO7816 and Innovatron HSP contact protocols
- Up to 4 SAM handling (one integrated interface)
- Additional I/Os: SPI, I²C, LEDs, general purpose
- Power supply: 5 VCC
- Size: 26 mm x 31 mm
- Operating temperature: -25° C + 60°C
- « stamp » form factor with UCM108C for easy integration



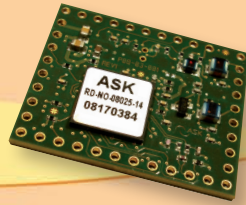
calopso



UCM108

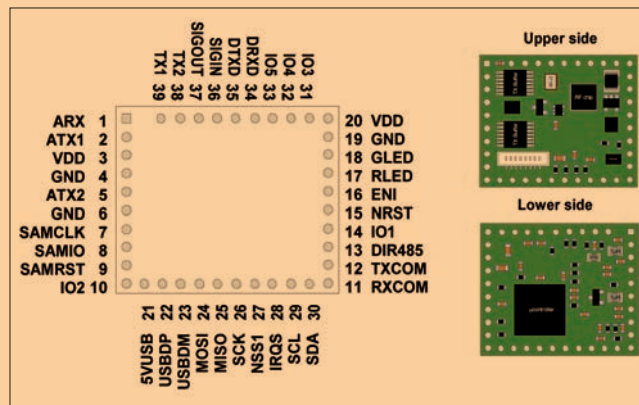


UCM108C



Block diagram

- Basic 2.54 mm pinout compatible with other contactless industry modules
- ASK extended pinout functionalities



Supported cards

- Any ISO 14443 A/B/B' standard card
- Mifare classic™, Mifare UL™, Mifare Plus™, Mifare DesFire™
- ITSO, Calypso®, VDV KA
- CTS512B, CTM512B, ST SR Family
- Sony Felica®
- Java Card®

Development and evaluation kits

The development and evaluation kits feature a set of tools to enable quick and easy development / evaluation to operate contactless cards, C.tickets® and readers. They are available in a package containing:

- 1 UCM108
- USB and serial adaptation cables
- 1 full range of contactless cards and C.tickets®
- 1 USB flash drive with:
 - Software drivers, evaluation applications
 - Libraries and technical documentation (development kit only)

